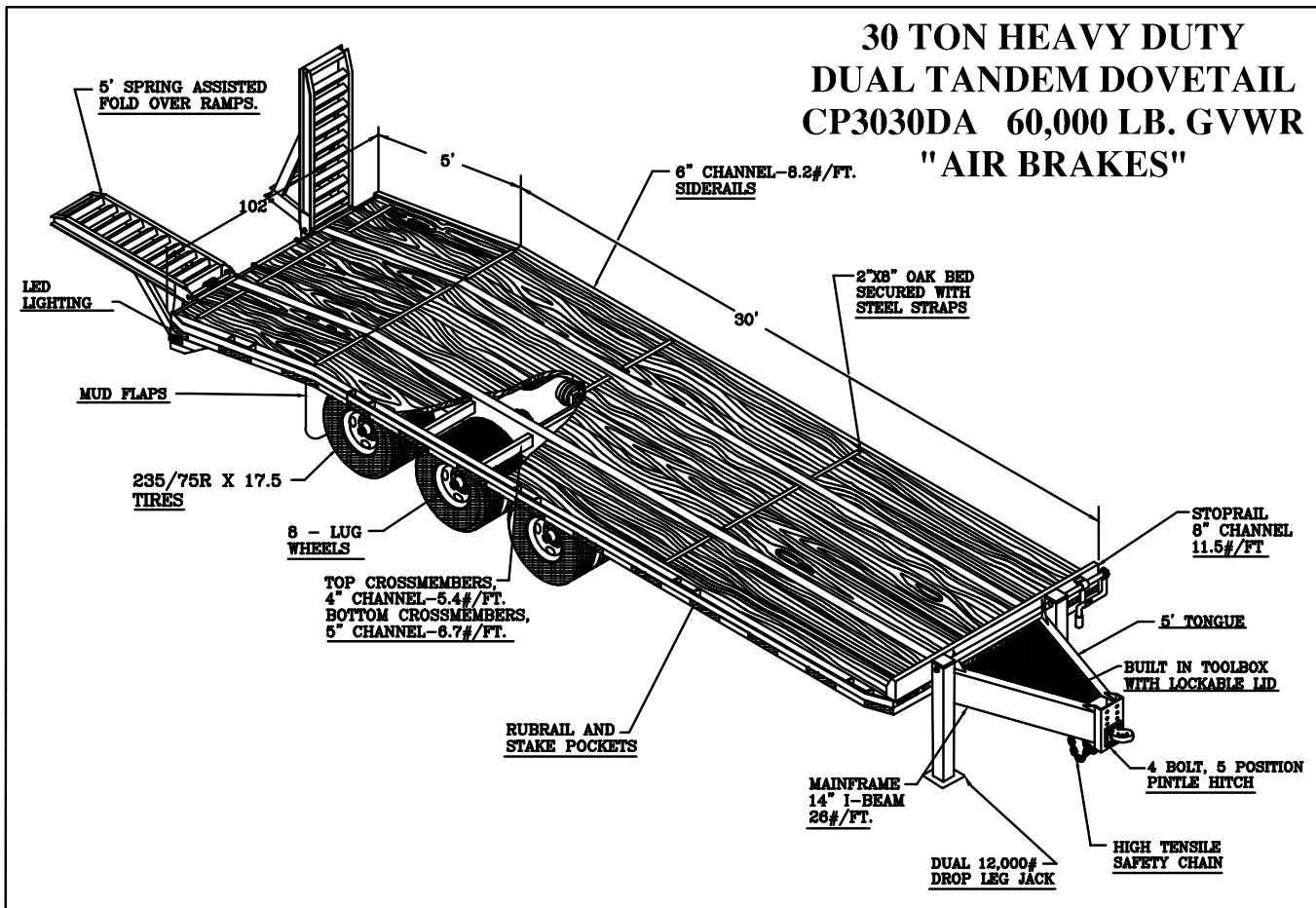




WORKING TRAILERS
FOR A WORKING WORLD



AVAILABLE OPTIONS:

DROP DECK
DUAL OR TWO SPEED JACKS
STEEL TREAD PLATE DECKING
FORK TUBES
CUSTOM COLOR CHOICE
ADDITIONAL TONGUE LENGTH
HYDRAULIC RAMPS
ALL REQUESTS CONSIDERED

MISCELLANEOUS SPECS:

AIR BRAKES
(3) COMMERCIAL GRADE, 22,500 LB. CAPACITY AXLES
EMERGENCY BREAK AWAY KIT WITH BATTERY
HIGH VISIBILITY ECONOLINE YELLOW ACRYLIC PAINT
FRACTURE RESISTANT MIG WELDING
SEALED WIRING HARNESS WITH AIR BRAKE PLUG
DOT REQUIRED SAFETY DECALS, LIGHTING, AND CONSPICUITY MARKINGS INCLUDING TAG LIGHT AND HOLDER
36 IN. BED HEIGHT FROM GROUND (APPROX.)
LED LIGHTS



Double Springs, Alabama
1-800-624-1866

www.econolinetrailers.com

MODEL #	DATE REVISED
CP3030DA	03/03/15