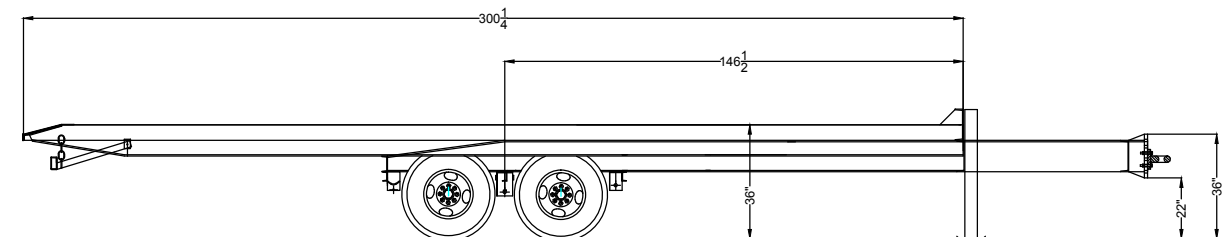
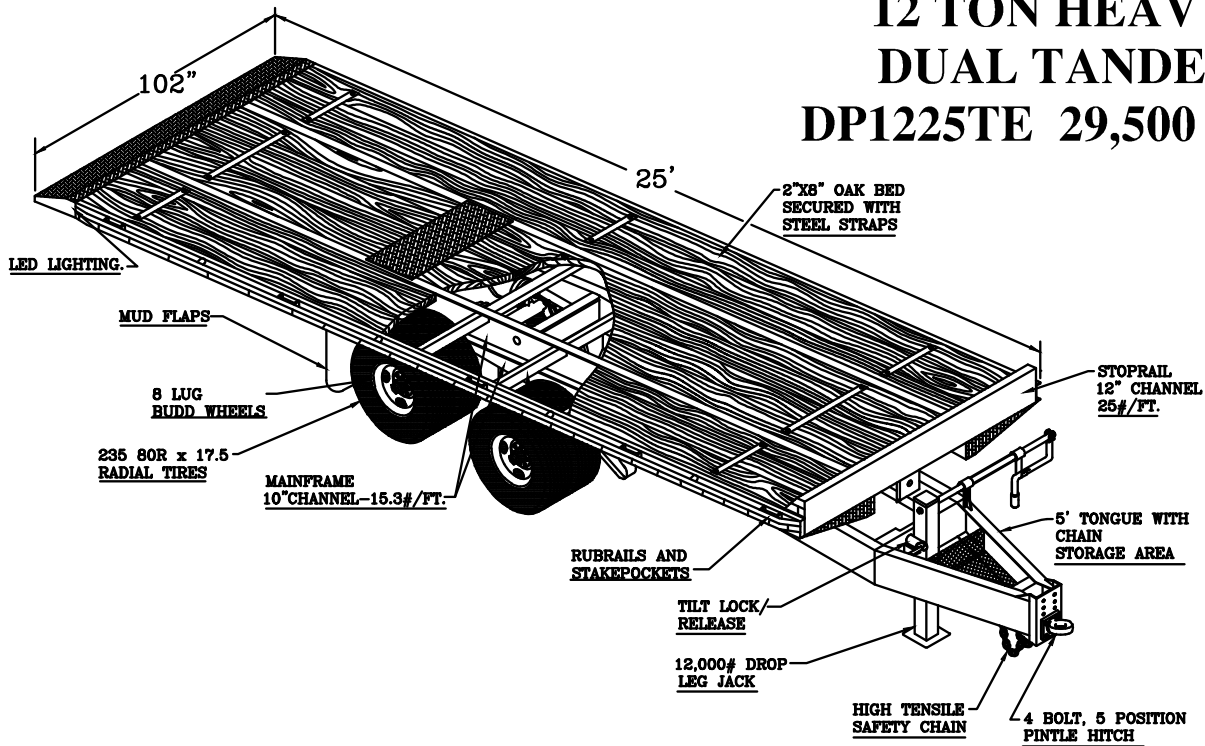




WORKING TRAILERS
FOR A WORKING WORLD

12 TON HEAVY DUTY DUAL TANDEM TILT DP1225TE 29,500 LB. GVWR



Econoline Trailers, Inc., 231 Co Rd 33, Double Springs, AL 35553
800-239-6825



WORKING TRAILERS
FOR A WORKING WORLD

DUAL TANDEM 12-TON TILT

G.V.W.R	29,500	SUSPENSION	Multi-Leaf 7
G.A.W.R (Wa. Axle)	12,000	TIRE	235 80R x 16 Radial
COUPLER	3" ID Pintle	WHEEL	6 x 16, 8 Lug
SAFETY CHAINS	1/2" w/Safety Latch Hooks	FLOOR	2" Nominal Oak
JACK	12K Drop Leg Jack	LIGHTS	LED D.O.T. Stop, Tail, Turn Clearance
TONGUE	Built-in with Frame	FINISH PREP	Steel Is Cleaned To Ensure Smooth Finish
FRAME	10" C x 20 Lbs.	FINISH	Superior Quality Paint Is Applied For A Highly Protective Finish
CROSS MEMBERS	3" Channel		
AXLES	Two 12,000# Axles, Electric Brake		

STANDARD FEATURES	OPTIONS
4 Bolt, 4 Position Pintle Hitch	Dual or Two Speed Jacks
Storage Area in Tongue	Custom Dovetail Length
Sealed Wiring Harness	Steel Tread Plate Decking
Safety Reflective Marker Tape	Fork Tubes
102" Wide	Custom Color Choice
Oak Flooring Secured with Steel Straps	Lockable Lid Cover for Storage Area
High Tensile Safety Chain	
5' Dovetail	
D.O.T Approved, Shock Resistant, LED Lighting	
Mud Flaps	
Rub Rails and Stake Pocket	